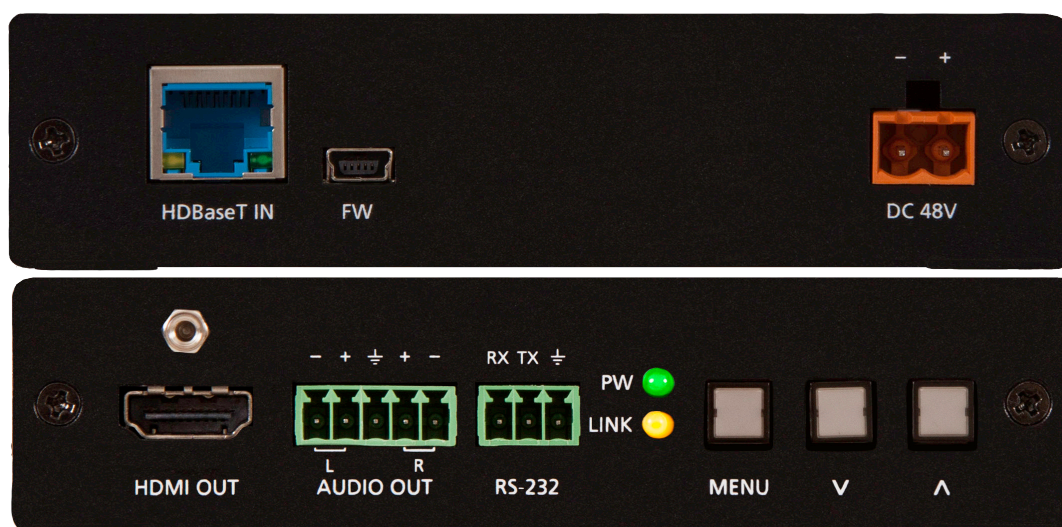


HDBaseT Scaler with HDMI and Analog Audio Outputs

AT-HDVS-150-RX Installation Guide



Please check <http://www.atlona.com/product/AT-HDVS-150-RX> for the most recent **firmware update** or **manual**.

Atlona HDVS receiver was designed to smooth the transition from analog to digital displays in schools and businesses, allowing advanced HDMI display devices to be used with the many VGA computers still in use. Many displays don't support the resolutions and refresh rates typical of VGA sources. In addition, the HDVS-150-RX is compatible with Atlona PoE switchers with HDBaseT outputs and is a good solution when scaling is required for a specific display.

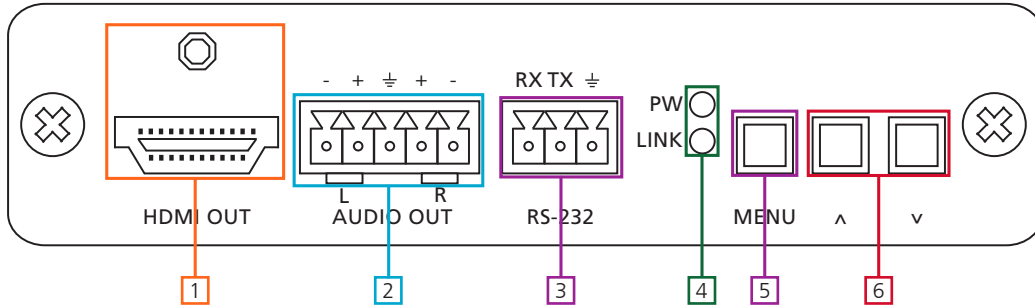
When used with a matching HDVS-150-TX or HDVS-150-TX-WP, projector control is enabled. HDBaseT and Power over Ethernet (PoE) allow signal and power over a single category cable, with RS-232 control capability.

Package Contents

- 1 x AT-HDVS-150-RX
- 3 x Captive screw female connector (5 pin: audio, 3 pin: RS-232, 2 pin: power)
- 1 x 48V DC captive screw power adapter
- 1 x Installation Guide

Panel Description

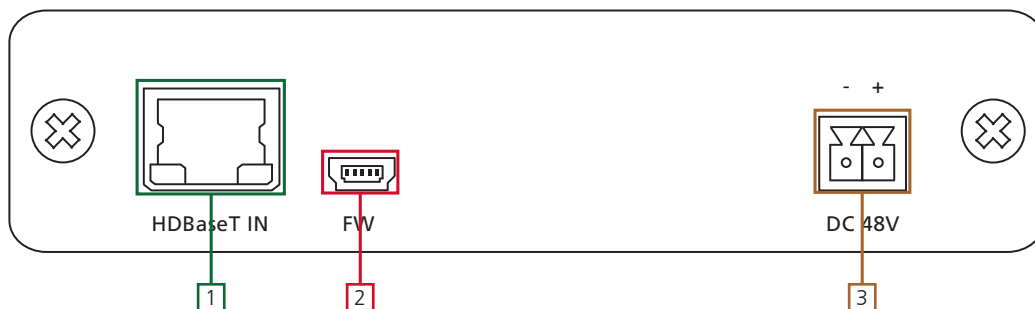
Front Panel



1. **HDMI OUT:** Connect to display
2. **AUDIO OUT:** Connect to amplifier (e.g. AT-PA100-G2)
3. **RS-232:** Connect to PC or control system to program RS-232 control then connect to a display for on / off command control
4. **Status LEDs:**
 - POWER LED - Illuminates when receiving power
 - LINK LED - Lights up when HDBaseT link is functioning properly
5. **MENU** button: Use to enter, exit, and select within the on-screen display menu
6. **Navigation** buttons: Navigate through OSD menu or use to set output resolutions
 - "Menu" and "-": Set output resolution to 720p@50Hz
 - "-" and "+": Factory resets receiver and sets output resolution to 720p@60Hz

Note: Pressing the "+" button while the OSD menu is closed and a VGA source is selected will cause the video to auto adjust

Back Panel

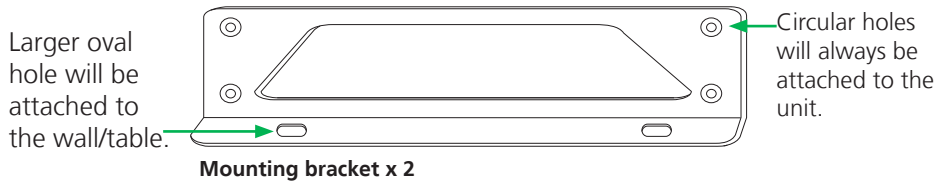


1. **HDBaseT IN** (blue): Connect HDBaseT source here
2. **FIRMWARE:** Connect to a PC using a mini USB to USB for firmware updating
3. **DC 48V:** Connect included 48V DC adapter to power HDVS-150-RX and compatible transmitters

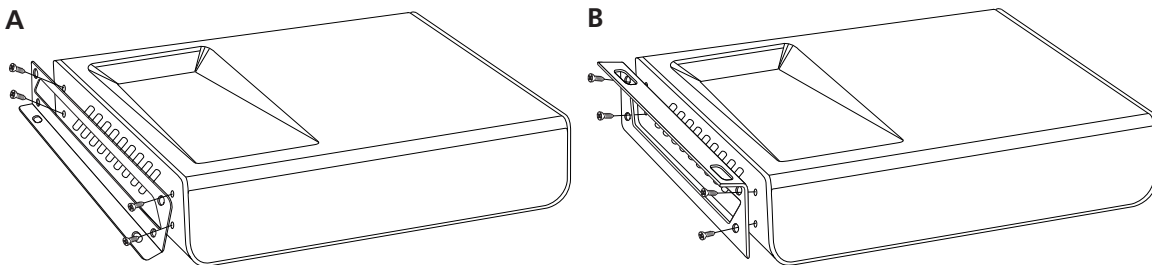
Note: To ensure compatibility, please be certain both transmitter and receiver have blue HDBaseT ports. This ensures both products are PoE (48V) compliant. The HDVS-200-TX is not compatible with PoCC (black RJ45, 24V) devices

Mounting

The HDVS-150-RX comes with mounting brackets that can be used to affix the unit to a table, desk, etc.



To affix the mounting brackets to the unit, use the four included screws. The bracket can be affixed with the oval holes pointing to the bottom (for against the wall - picture A) or the oval holes facing the top (for under tables - picture B).

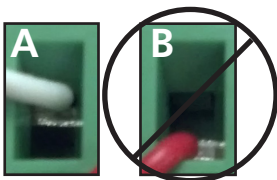


Captive Screw

The captive screw connectors allow you to cut cables to a suitable length, reducing cable clutter while providing a more reliable connection.

Connecting

When connecting the cables to the female captive screw connector it is important that the wires be terminated correctly. The female captive screw connector has a contact plate at the top and must have the wires touching it for signal to pass. When wired correctly (see picture A) the signal will pass, incorrectly (see picture B) no signal will pass.



The captive screw connectors have a contact bar that is adjusted to compress the wire against the top contact plate. Use the screws at the top of the connector to compress the wire against the contact plate.



Turn the screws clockwise to raise the contact bar to the upper contact plate and hold the wires in place.

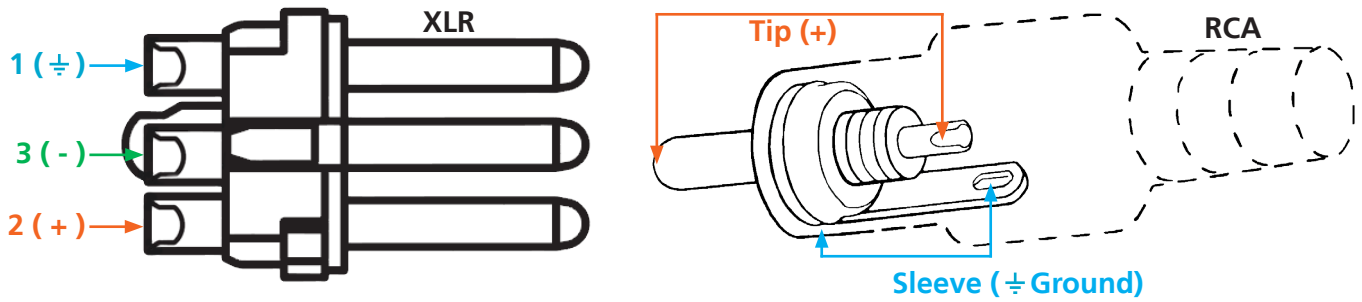


Turn the screws counter clockwise to lower the contact bar to release the wires.

Analog Audio

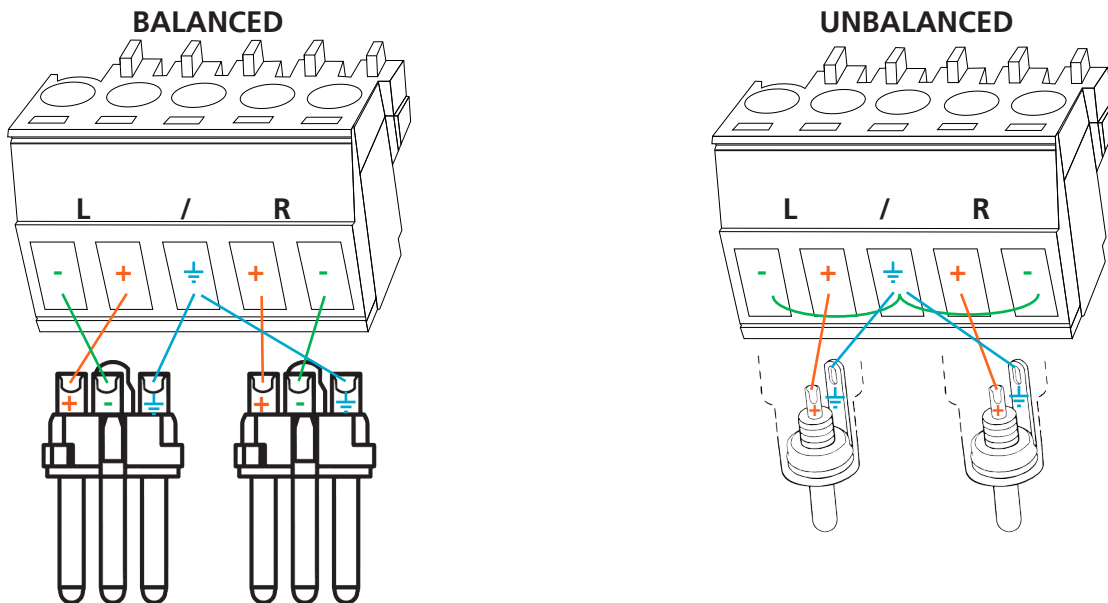
A captive screw analog audio connector is provided to ensure a more reliable and secure connection. The captive screw connector supports balanced and unbalanced audio output.

Balanced audio connections use two signal wires and a ground to minimize interference to audio signals. Unbalanced audio connections use one signal wire and a ground and are used if other system components don't support balanced signals.



Note: Pin outs may vary, please refer to the audio device's manual to ensure a correct connection.

Important! When terminating cables, please ensure exposed adjacent wires do not touch. This may result in a short that can damage connected devices.

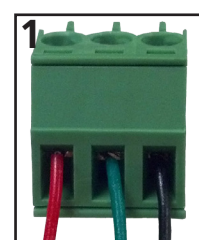
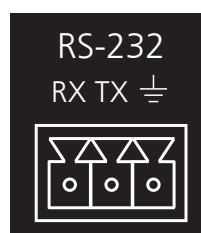


Important! With unbalanced connections a jumper is needed between ground and negative to reduce noise

RS-232

Connection

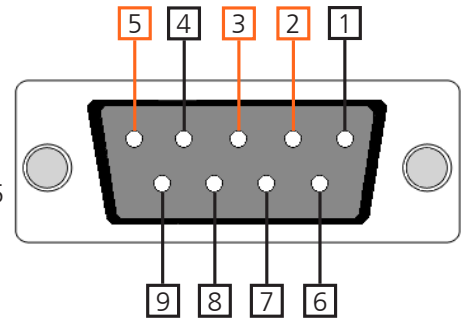
RS-232 pin out is determined by the connected device and connects as RX (receiver), TX (transmitter), and \perp (ground). (See picture 1)



Wire color differs by cable manufacturer.

RS-232 is often connected through a DB 9-pin to captive screw connector. The pins have specific signals associated with them, some are unassigned.

Note: Typical DB9 connectors use pin 2 for TX, pin 3 for RX, and pin 5 for ground. On some devices, the functions of pins 2 and 3 are reversed.

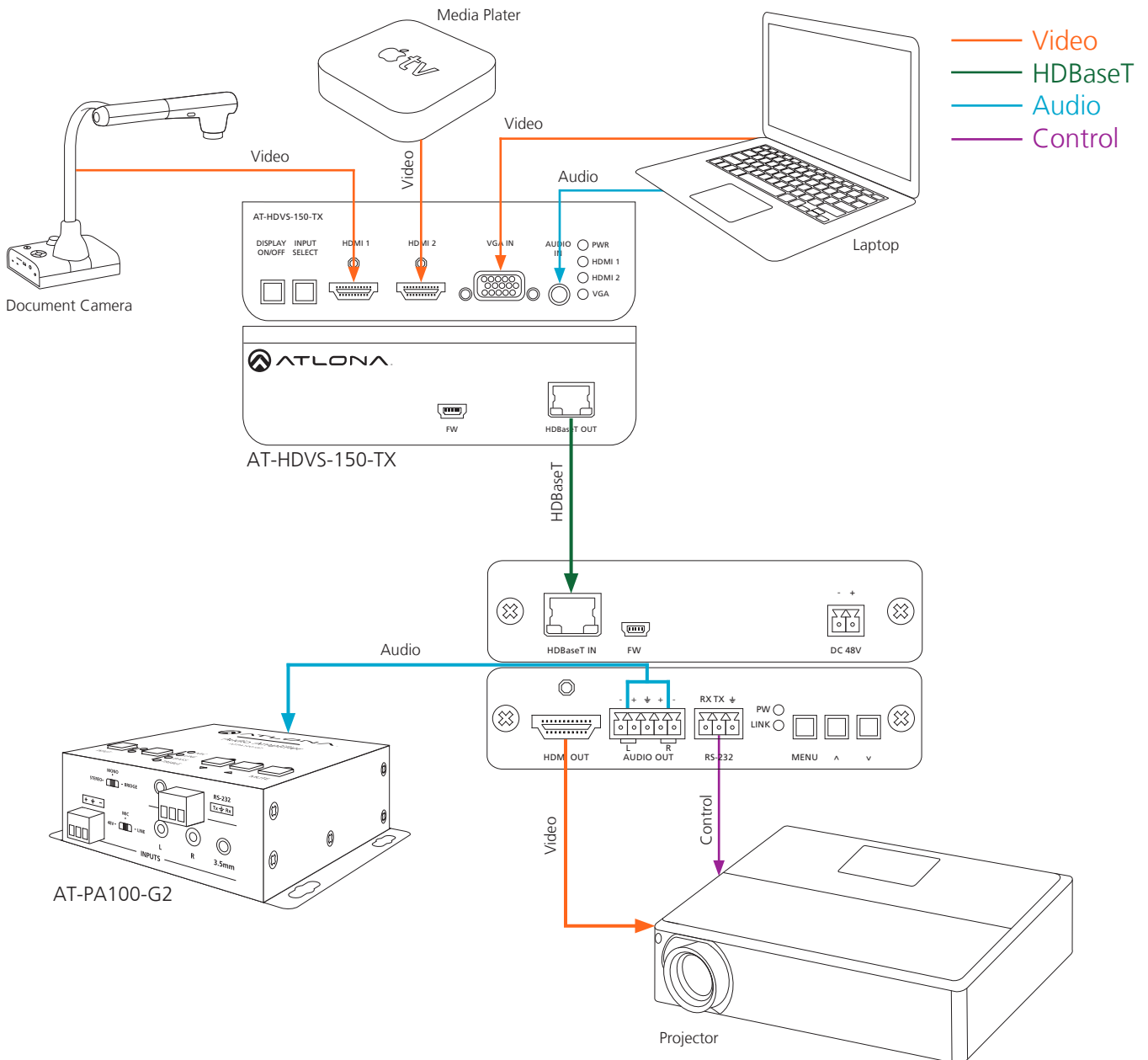


Set up and Control Software

Set up and control software can be found on the AT-HDVS-150-RX webpage on [atlona.com](http://www.atlona.com).

URL: <http://www.atlona.com/product/AT-HDVS-150-RX/> (software found under the "Resources" tab)

Connection and Installation



Troubleshooting

1. Can I use the AT-HDVS-150-RX with an AT-HDVS-200-TX?

We do not recommend that you use the AT-HDVS-200-TX with the AT-HDVS-150-RX, as this will result in the limited functionality of both products.

2. How do I check the firmware version?

Press the MENU button for five seconds to show the On-Screen Display, then use the ^ and v buttons, on the front panel, to select the Information submenu.

3. How do I update the firmware?

You can update the firmware through USB. Please note that you will need a USB A to Mini B cable.

4. Does this device have a webGUI?

No, this unit does not have a webGUI.

5. Is this unit compatible with AMS?

No, this unit is not compatible with AMS.

6. How do I program this unit?

This unit can be programmed by downloading and running the AT-HDVS-RX software, which is included in the firmware download as "setup.exe".

7. How do I perform a factory-reset of this unit?

Simultaneously press the ^ and v buttons on the front panel for five seconds, or select the "System Reset" option within the On-Screen Display (OSD). You will know the factory reset has taken effect when the default output resolution reverts to 720p60.